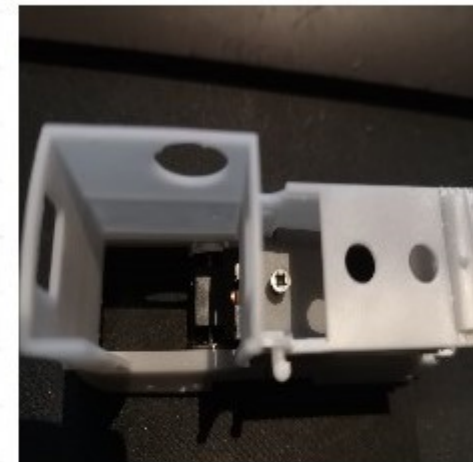
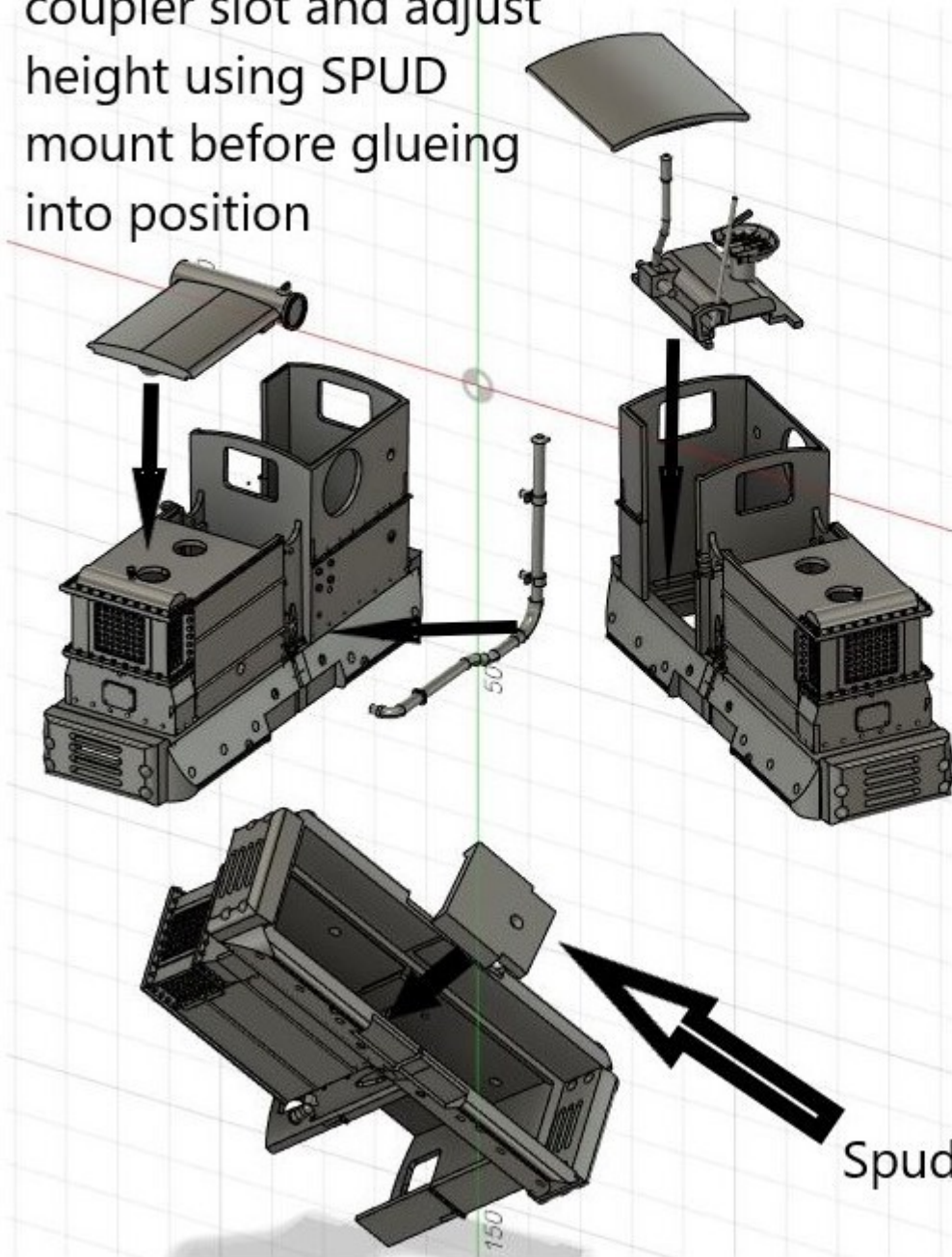


If using Kaydee coupling, use third coupler slot and adjust height using SPUD mount before glueing into position

Do not glue engine hood down in order to access SPUD mounting screw



Spud mount