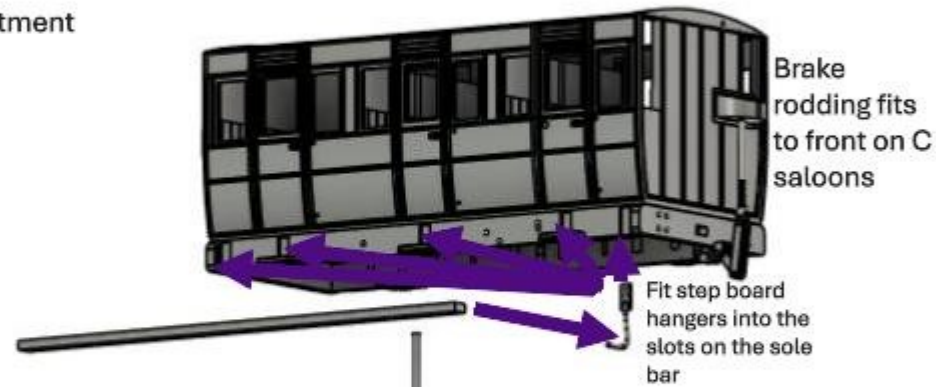
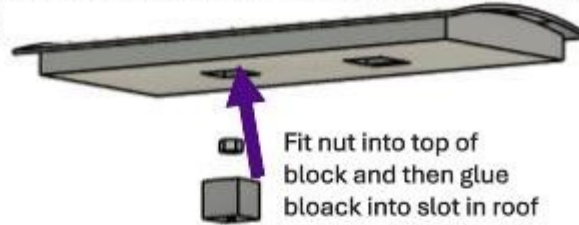
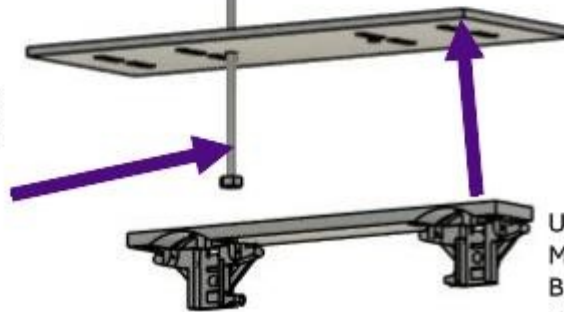


A saloons have no brakes but are larger and come with seat cushions  
B Saloons have no brakes. C Saloons have brakes and sometimes windows in the front

D Saloons are Composites- have no brakes but seat cushions for the 1st class in the middle compartment



Fit the 55mm bolts through floor and the holes in the body and screw into the nut previously fitted to the roof block



Use the small M2 Nuts and Bolts to fit the axles to the floor.

